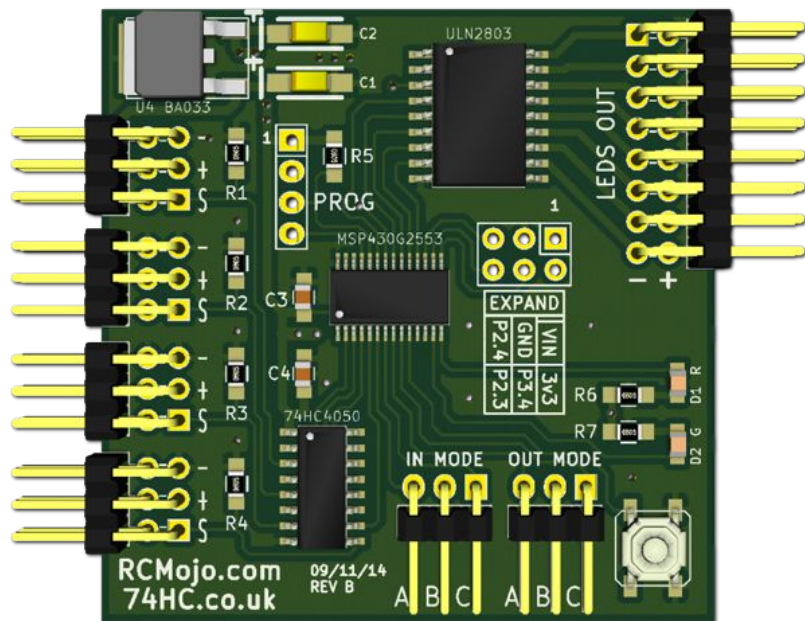


# RADIO CONTROL MOJO

Welcome to RCMojo and the instructions for the as yet still unnamed RC light controller, the design files are called `mojo_RCLights_Truck_B`, so that will do for now. If you have any cool ideas feel free to send us an email.

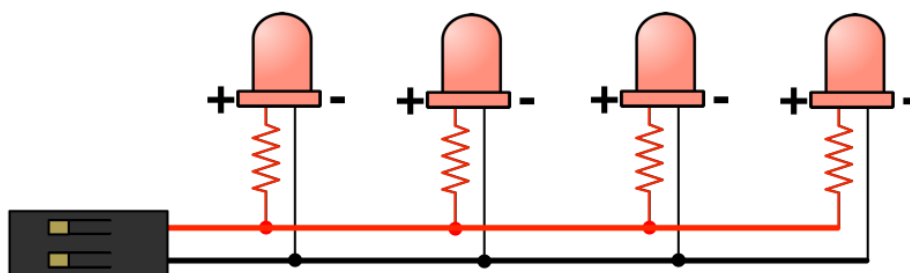
Contact:

[rcmojo.com](http://rcmojo.com)  
[nick@rcmojo.com](mailto:nick@rcmojo.com)  
[youtube.com/rcmojotv](https://www.youtube.com/rcmojotv)

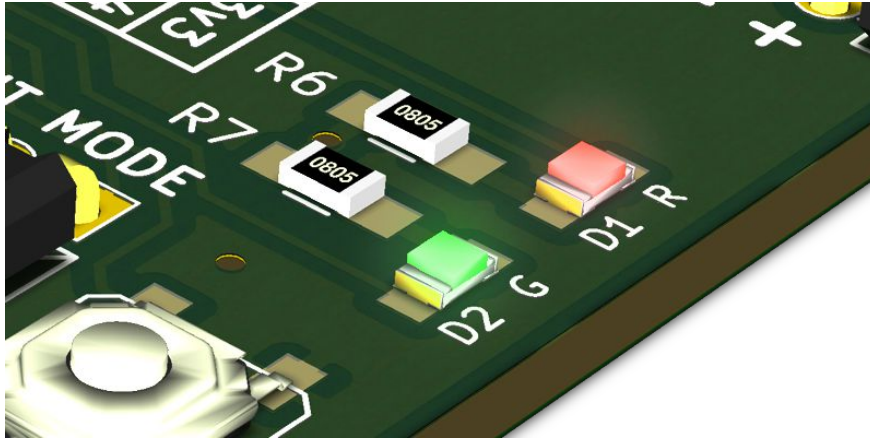


## Requirements:

- Minimum 2 channel radio, can be old 27MHz or modern 2.4GHz, or anywhere in between.
- ESC with drag brake/crawler mode ([X-Car 45A Brushed](#))
- ESC with a switching BEC, or separate UBEC. 4.8v - 9v
- LEDs must have their own resistor, the board is NOT compatible with Tamiya LED strings.

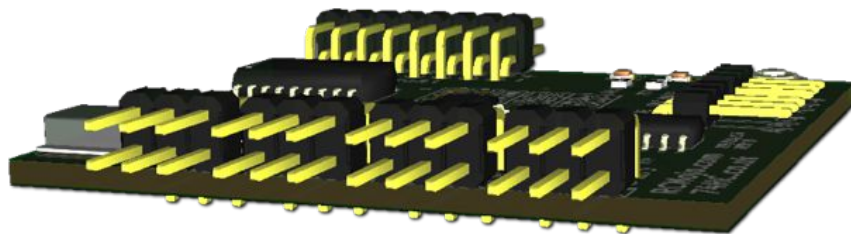


## Startup Calibration:

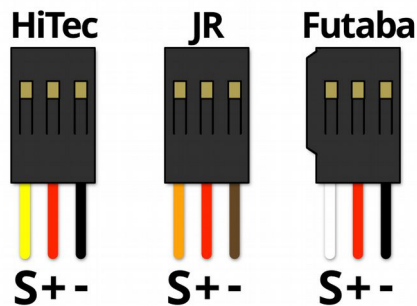


A couple of seconds after you power on the board one of the LEDs will turn on, if it's red there is no input signal. If it's green and rapidly flashing it's trying to find the centre points of the channels, let go of the throttle and steering so they're at their neutral point. Next the red LED will blink rapidly, move the throttle so you're model moves forward. If it's been successful the green led will be solidly lit and the system armed and ready to use.

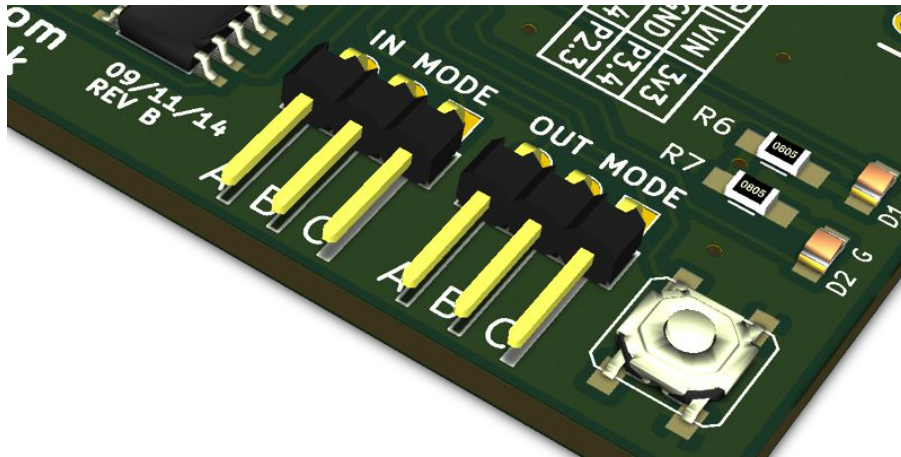
## Channel Inputs:



The 4 sets of 2x3 headers are the 4 Input Channels. Channel 1 is on the left, then 2, 3 and 4. The bottom pins connect to you receiver via the included leads, the top pins connect to your steering servo and ESC. The pins are marked on the board with S + -.



## Input Modes:



- Basic - Only connect Channel Input 1 + 2
- Classic - A+B
- Inc/Dec - B+C
- 2/3 Pos - No Jumper

### Basic:

Indicators	Brakes	Reverse	Dipped	Headlights	Aux 1	Aux 2
✓	✓	✓	✓	✓	✓	✓

This is for 2 channel radios, there's no control over the LED mode  
All function are running, brake, reverse and indicators will all work.

### Classic:

Mode	Indicators	Brakes	Reverse	Dipped	Headlights	Aux 1	Aux 2
0							
1	✓	✓	✓				
2	✓	✓	✓	✓			
3	✓	✓	✓	✓	✓		
4	✓	✓	✓	✓	✓	✓	
5	✓	✓	✓	✓	✓	✓	✓

Input Channel 3 connects to an AUX channel on a 2 position switch. First position is for normal operation. In the second position the red LED will blink rapidly and will allow the steering to increment and decrement the LED mode by moving away from centre.

### Inc/Dec:

Mode	Indicators	Brakes	Reverse	Dipped	Headlights	Aux 1	Aux 2
0							
1	✓	✓	✓				
2	✓	✓	✓	✓			
3	✓	✓	✓	✓	✓		
4	✓	✓	✓	✓	✓	✓	
5	✓	✓	✓	✓	✓	✓	✓

Input Channel 3 connects to an AUX channel with a centre biased 3 position switch, moving the switch from the centre and back will increment or decrement the LED mode.

### 2/3 Pos:

Mode	Indicators	Brakes	Reverse	Dipped	Headlights	Aux 1	Aux 2
0	✓	✓	✓				
1	✓	✓	✓	✓			
2	✓	✓	✓	✓	✓	✓	✓

Input channel 3 connects to an AUX channel with a 2 or 3 position switch. A 2 position switch will select Pos 1 or 3.

### Note:

The Inc/Dec mode enables another trick, normally the indicators are tied to the steering. But in Inc/Dec mode you can connect Input Channel 1 to a channel controlled by a 3 position switch. This lets you control the indicators independently from the steering.

## Output Modes:

Mode	0	1	2	3	4	5	6	7
<b>World</b>	Headlights	Aux 1	Aux 2	Reverse	L Indi	L Tail/Brake	R Indi	R Tail/Brake
<b>World B</b>	Headlights	Aux 1	Aux 2	Reverse	L Indi	Tail	R Indi	Brake
<b>USA</b>	Headlights	Aux 1	Aux 2	Reverse	L Indi	L Tail/Brake/Indi	R Indi	R Tail/Brake/Indi

- World - A+B
- World B - B+C
- USA - No Jumper

### **World:**

All functions are separate, this is the usual mode for RC lights.

### **World B:**

Just like World, except the tail and brake lights are separated

### **USA:**

Indicators also flash the brake lights.